

**Battle Action**  
**SPIDER-MAN® Triple Blast Hover Jet**

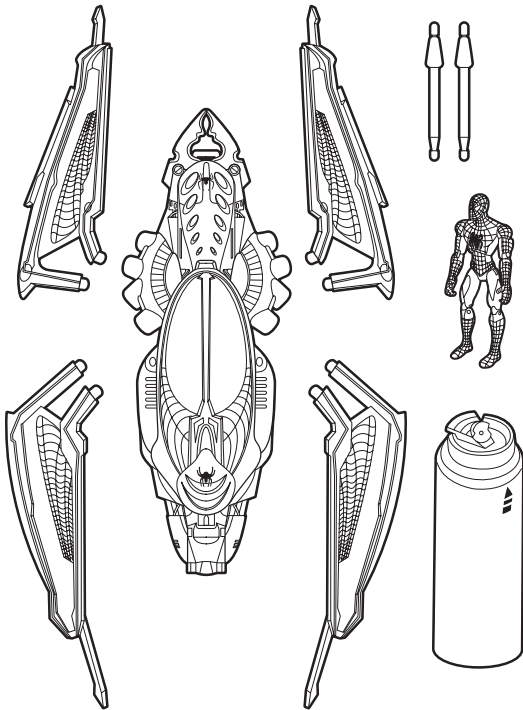
Includes:

- SPIDER-MAN figure
- Hover Jet
- 4 wings
- 1 Web Fluid canister
- 2 missiles

Some assembly required. No tools needed. See instructions.

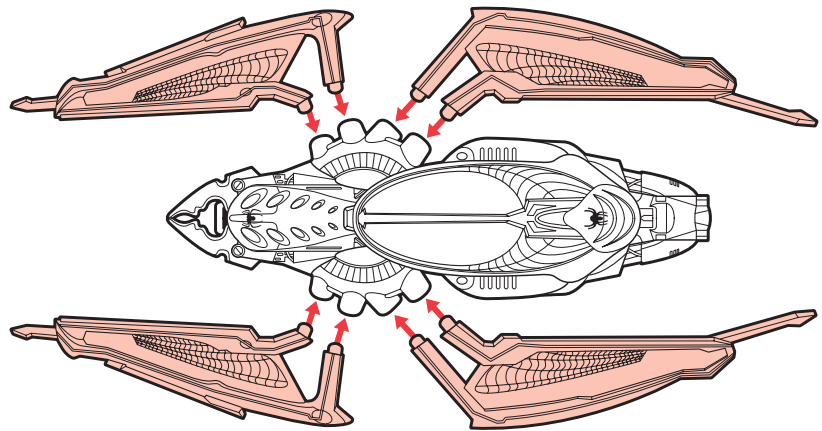
**! WARNING:** Pressurized container.  
Read all instructions before use.

**CAUTION:** To avoid injury use only clean tap water.  
Do not aim at eyes or face.



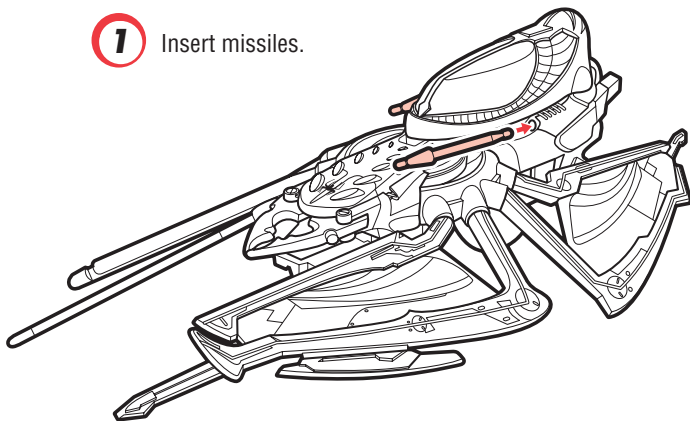
**ASSEMBLY INSTRUCTIONS**

Snap wings in. Make sure to orient them correctly.

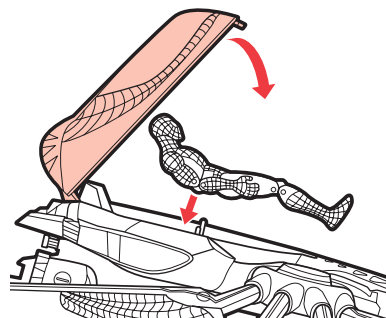
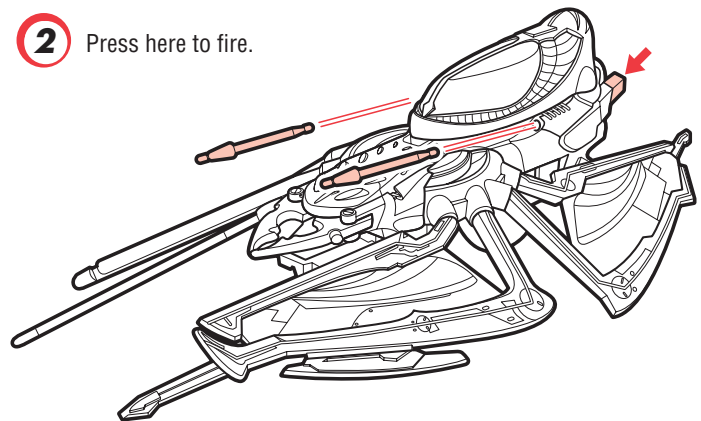


**PLAY INSTRUCTIONS**

**1** Insert missiles.



**2** Press here to fire.



SPIDER-MAN  
rides in cockpit.

## Web Blaster Assembly & Use:

**Note:** Clear nozzle of any excess string for best performance. For best results aim slightly upwards.

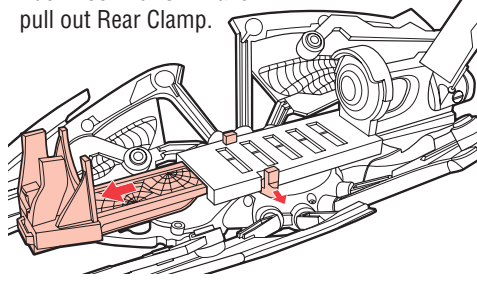
**1**

Rotate nozzle tab to opposite side of red dot on can.



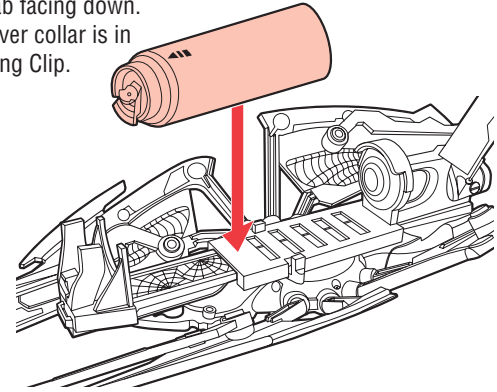
**2**

Push Lock Button in and pull out Rear Clamp.



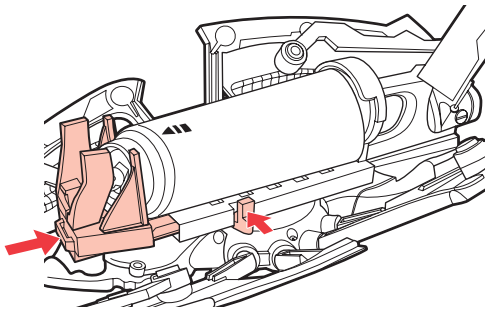
**3**

Load can into Blaster Housing with nozzle tab facing down. Make sure silver collar is in front of Holding Clip.



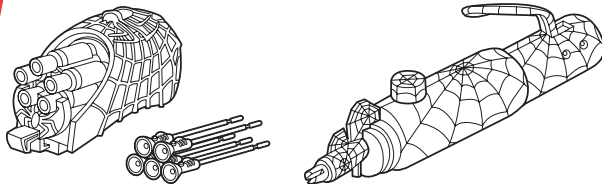
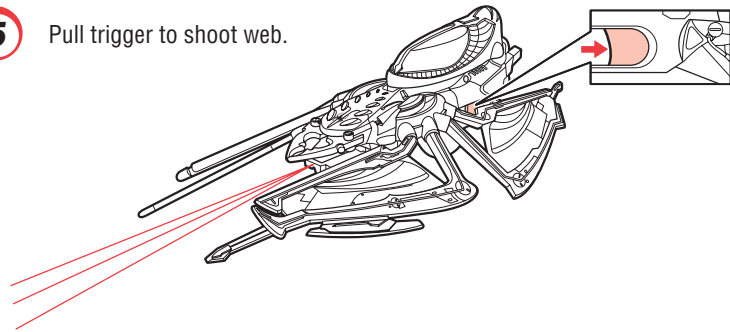
**4**

Push in Rear Clamp and push Lock Button.



**5**

Pull trigger to shoot web.



Hover Jet can also use Dart Launcher and Water Canister from the GATLING DART BLASTER & SONIC WEB BLASTER (each sold separately).

## **!** WARNING: Contents Under Pressure.

Do Not Puncture Or Incinerate.

Do Not Expose to Heat or Store at Temperatures above 120° Degrees F / 48 Degrees C.

- Do Not Spray on Open Flame or Any Hot Stoves or Light Bulbs.
- Do Not Leave in Direct Sunlight or Store in a Hot Vehicle.
- Heat Can Cause Can to Burst Violently.
- Do Not Spray in Eyes or Face.
- Do Not Ingest String.

Shake well before using. Can should be used in a horizontal position.

Adult Supervision Required.

Non-Toxic.

Non-Flammable.

Not Recommended for Indoor Use.



## **!** CAUTION:

Do not spray on walls, floors, clothing, furniture or vinyl as string may stain certain types of surfaces and fabrics.  
**USE ONLY AS DIRECTED.**

Ingredients: Water HFC 134a (propellant), Acrylic Resin, Hydrocarbon solvents, Light oil, Pigment.

[www.hasbro.com/spiderman](http://www.hasbro.com/spiderman)



Product and colors may vary.  
Spider-Man and all related characters and the distinctive likeness thereof: TM & © 2007 Marvel Characters, Inc.  
Spider-Man 3, the Movie: TM & © 2007 Columbia Pictures Industries, Inc. All rights reserved.  
[www.marvel.com](http://www.marvel.com)  
®\* and/or TM\* & © 2006 Hasbro. All Rights Reserved.  
TM & ® denote U.S. Trademarks.  
[www.hasbro.com](http://www.hasbro.com)

**P/N: 6663810000**

**ARTECH 185 K**

5008(SPD\_69564\_69130\_Hover\_Jet.indd)2006-10-0268(2)/Eva/2006-11-22/CN\_Mac7/BR/Artech\_150L